

FST Capillary Thermostat

Features include:

- Flexible mounting positions
- Fully stainless steel capillary and bulb
- Wide temperature range for various applications
- Compact and rugged switch body design



	FST-ZA40C	FST-ZA110C	FST-ZA200C	FST-ZA300C
Temperature range °C	0 ~ 40	18 ~ 110	35 ~ 200	50 ~ 300
High Limit (off) °C	40±5	110±5	200±8	300±12
Low Limit (off) °C	0	18	35	50
Differential °C	2±1	5.5±3.5	7±4	12±6.5
Temperature Change Rate	< 1.0 °C/min			
Maximum operating temperature	70°C			
Maximum sensor temperature	55°C	140°C	240°C	360°C
Contact Rating SPDT: C1	15A 400VAC			
C2	2.5A 400VAC			
Capillary length (mm)	1000 ⌀5			
Sensing bulb size ⌀xL (mm)	8 x 111±2	6.5 x 71±2	6.5 x 61±2	4 x 102±2
Insulation Resistance MΩ	>100			
Dielectric strength	AC 2000V 1 minute			
Mechanical life	100,000 cycles			
Approval	Semko, VDE			
Optional Accessory	FST-ZA-NUT, water proof lock nut			

JAEGER® DRT-Series Thermostat

The electro-mechanical thermostat is designed to be used in conjunction with VITAR® Anti-Condensation Heaters. With adjustable range of 0-60 deg C, condensation and corrosion within the panel is minimized. Product is CE certified.



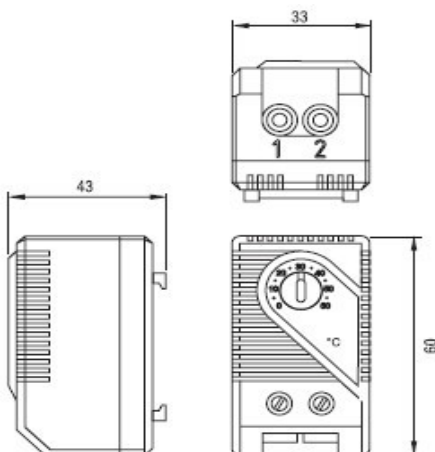
DRTH-0060C: Thermostat (normally closed); contact breaker for regulating heaters.

DRTC-0060C: Thermostat (normally open); contact breaker for regulating the toyo exhaust fans.

Item No	Operating Temperature (°C)		Storage Temperature (°C)		Cable Entry (mm ²)		IP Rating	Weight (g)	Mount
	0	60	-45	80	Rigid	Stranded			
DRTH-0060C DRTC-0060C	0	60	-45	80	2.5	1.5	IP20	40	DIN Rail 35mm
	Switching Capacity		Switching Difference		Sensor Element		Service Life	Dimensions (mm)	
	250VAC 8(1)A		(-266°C) (±269°C Tolerance)		Thermostatic Bimetal		100K Cycles	H60 x W33 x D48	

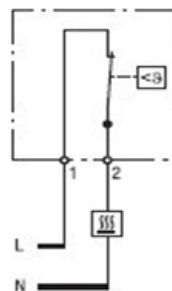
Note: 8A refers to resistive load


Physical Dimensions:



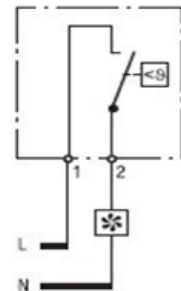
Connection Diagram:


Thermostat
DRTH-0060C



 Heater

Thermostat
DRTC-0060C



 Toyo fan, cooling equipment signal device.