

Industrial fan Series



Features

- Lower noise level
- Excellent-cooling effect
- Enclose motor
- Type: Industrial blower
- Measurement : 26'' inch
- Oscillation control and easy angle adjustment
- 3 speeds(SPEED 1,SPEED2,SPEED3)
- Sturdy wall mount bracket for safety and stability

Specifications

Model	SPEED 1 (1000RPM)				SPEED 2 (1200RPM)				SPEED 3 (1350RPM)			
	AMP	WATT	NOISE	AIR FLOW	AMP	WATT	NOISE	AIR FLOW	AMP	WATT	NOISE	AIR FLOW
	(A)	(W)	(dB)	(CFM)	(A)	(W)	(dB)	(CFM)	(A)	(W)	(dB)	(CFM)
SP3-26-10	0.50	115	54	3400	0.57	130	62	5300	0.76	175	67	7200
SW3-26-10	0.50	115	54	3400	0.57	130	62	5300	0.76	175	67	7200

Product Application

Kitchen, factories ,warehouse, restaurant, hawker centre, workshop

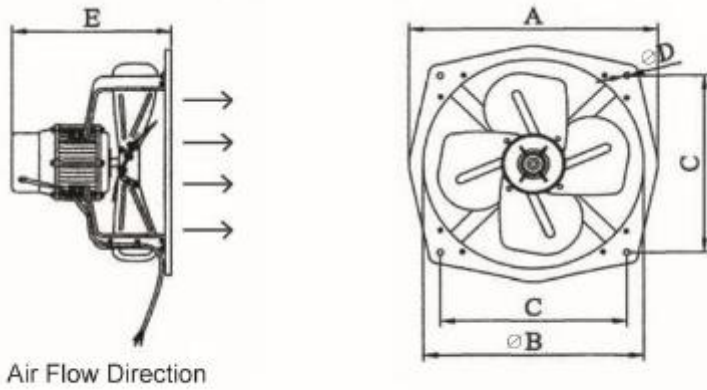
Exhaust fan Series



Model	FAN SIZE	VOLTAGE	POWER	CURRENT	SPEED	AIR FLOW	NOISE
	(IN)	(V)	(W)	(A)	(RPM)	(CFM)	(Db)
SFH2-12-240-1	12	240	97	0.43	1400	1000	69
SFH2-15-240-1	15	240	176	0.78	1400	1600	74
SFH2-18-240-1	18	240	192	0.82	1400	2800	78
SFH2-18-415-1	18	415	192	0.82	1400	2800	78
SFH2-24-240-9	24	240	230	1.12	960	3500	76
SFH2-24-415-9	24	415	230	1.12	960	3500	76
SFH2-24-240-1	24	240	549	2.3	1400	6000	80
SFH2-24-415-1	24	415	549	2.3	1400	6000	80

DIMENSIONS in mm

MODEL	A	∅B	C	∅D	E
SFH2-12-240-1	390	325	308	8.5	235
SFH2-15-240-1	483	417	367	8.5	255
SFH2-18-240-1	558	476	435	10.5	305
SFH2-18-415-1	558	476	435	10.5	305
SFH2-24-240-9	700	623	585	12	370
SFH2-24-415-9	700	623	585	12	370
SFH2-24-240-1	700	623	585	12	370
SFH2-24-415-1	700	623	585	12	370



PRODUCT APPLICATION

Warehouse, factories, basement, workshops

PORTABLE VENTILATOR

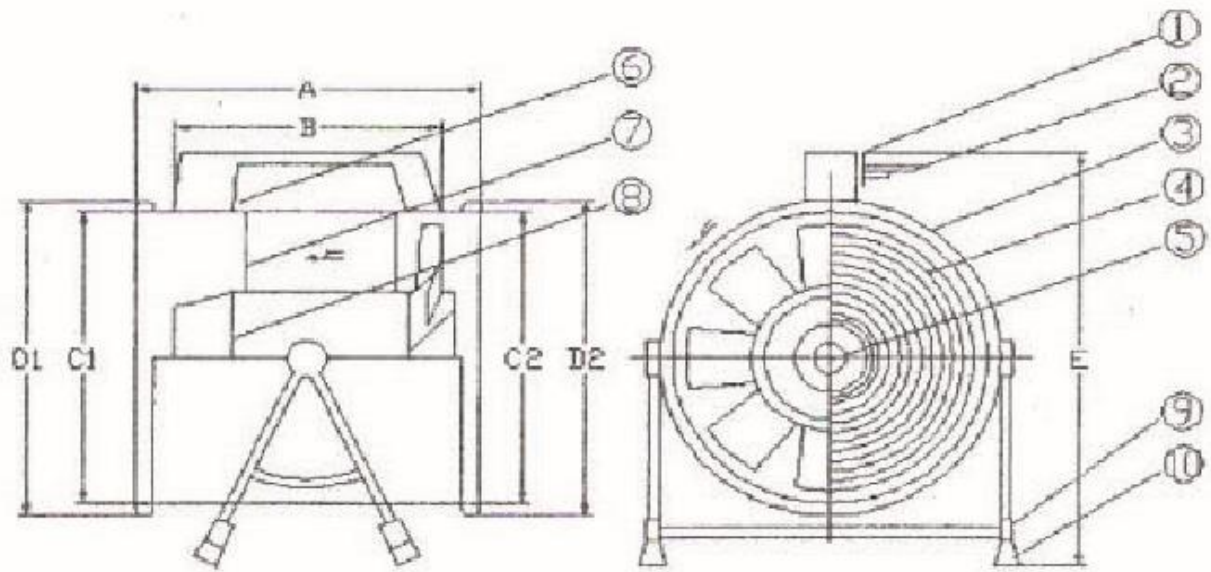
With its specially designed axial propellers, Sonic SPV-12 portable blower ventilator offers high static pressure, high flow rate, long endurance and excellent strength. The blower can be tilted in any angle on its legs, providing flexible blowing direction. It can be tilted vertically for "sky dancer" application.



Model	BLADE	VOLTAGE (V)	FREQUENCY (Hz)	PHASE	POLES	POWER	FLOW	STATIC	WEIGHT (KG)
	DIA					(W)	RATE	PRESSURE	
	(MM)						(m3/min)	(Pa)	
SPV12-ADJ	300.00	240	50/60	1	2	320/490	60/73	373	12.5

DIMENSIONS in mm

MODEL	A	B	C	D	E
SPV-12-ADJ	380	235	300	325	285



	Parts Name
1	Handle
2	Wire
3	Casing
4	Safety Guard
5	Blade
6	Switch
7	Motor Chasis
8	Motor
9	Fan Chasis
10	Absorber Pad